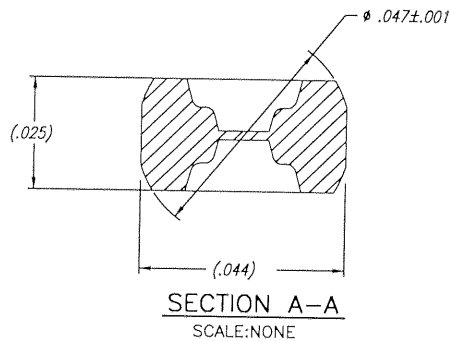
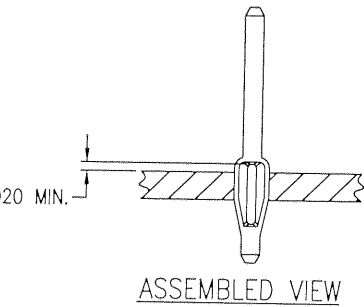
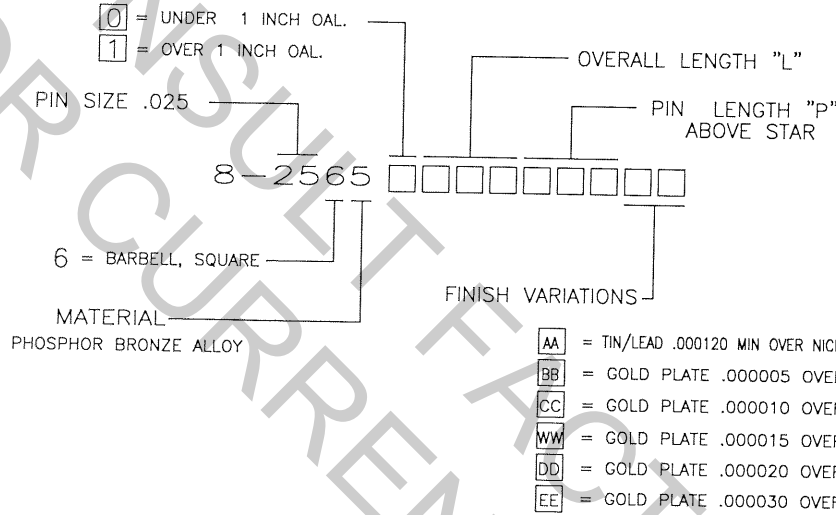


NOTES: UNLESS OTHERWISE SPECIFIED

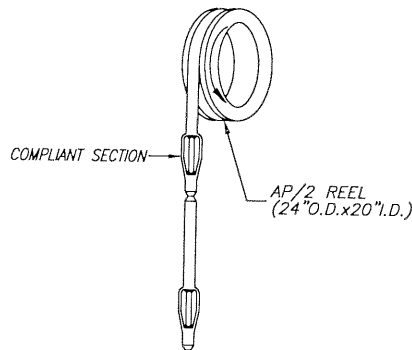
1. INTERPRET DRAWING IN ACCORDANCE WITH ANSI Y14.5-1982.
2. PITCH CONSISTENCY OVER 3.00" OF LENGTH TO BE WITHIN ± 0.005 .
3. PART TO BE SUPPLIED ON A CONTINUOUS REEL AS SHOWN. ONE BREAK AND NO NO SPLICE ALLOWED IN A REEL.
4. RECOMMENDED P.C.B. HOLE SIZES:
 DRILLED HOLE: $\phi .045 \pm .001$
 COPPER PLATING: .001 MIN THICK
 TIN-LEAD PLATING: .0003 MIN THICK
 FINISHED HOLE: $\phi .040 \pm .003$



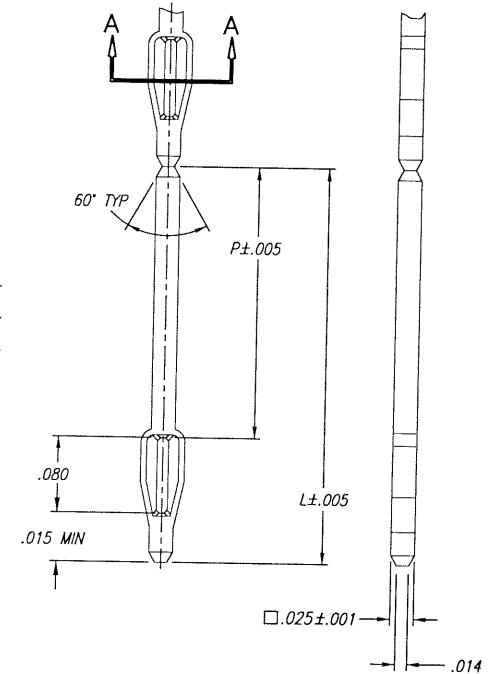
PART NUMBER BREAKDOWN



REELING ORIENTATION



REV	REVISION RECORD	ECN	BY	APV	DATE
A	INITIAL RELEASE	14445	MAC	JB	9-25-96
B	SHOW INSERTED VIEW	15771	MNH	JB	9-26-96
C	PER CDR 990463	16683	TM	JB	9-27-96
D	PER ECN	16754	TM	JB	9-27-96



CUSTOMER DRAWING

This drawing and the information set forth hereon are the property of AutosplICE, Inc. and are to be held in trust and confidence. Publication, duplication, disclosure, or use for any purpose not expressly authorized in writing by AutosplICE, Inc. is prohibited.	ALL DIMENSIONS ARE IN INCHES		AUTOSPLICE INC. 10121 Barnes Canyon Road San Diego, California 92121 (619) 528-0077	
	DECIMAL: XX = $\pm .02$ XXX = $\pm .004$	THIRD ANGLE PROJECTION 	DRAWN BY MAC M	DATE 9-26-96
	ANGULAR: $\pm 3'$	TITLE COMPLIANT PIN, .025 SQUARE	APPROVED BY RJ BIANCA	DATE 9-26-96
	SIZE C 0AE89	FSC# NO. C8-256500000000	REV. NO. D	SHEET 1 OF 1